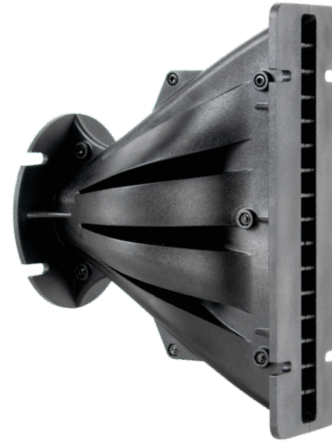


#### KEY FEATURES

- Designed for compression drivers with 1,4" (36 mm) throat diameter
- Coverage angles of max. 120° in the horizontal plane and 10° in the vertical plane
- Precise directivity control in the band pass
- Heavy-duty reinforced polycarbonate construction
- F.E.M optimized for isophasic output and homogeneous SPL along the length of the rectangular mouth



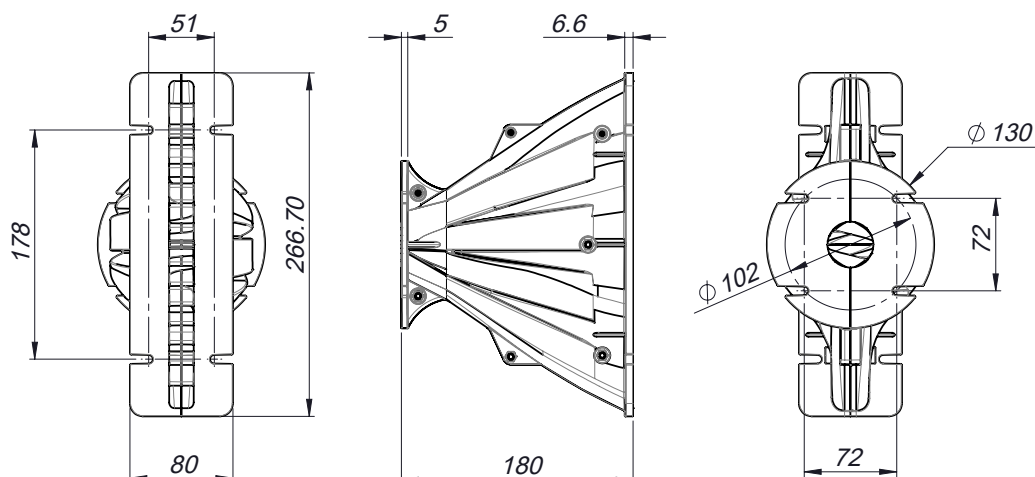
#### TECHNICAL SPECIFICATIONS

|                         |                          |        |
|-------------------------|--------------------------|--------|
| Throat diameter         | 36 mm                    | 1,4 in |
| Horizontal Coverage     | 120° Max                 |        |
| Vertical Coverage       | 10°                      |        |
| Directivity Index (DI)  | 13 dB                    |        |
| Frequency Range         | 0,5 - 20 kHz             |        |
| Active Radiating Factor | 96 %                     |        |
| Material                | Reinforced Polycarbonate |        |

#### MOUNTING INFORMATION

|                             |  |
|-----------------------------|--|
| Dimensions (W x H x D)      | 80 x 270 x 185 mm<br>3,15 x 10,63 x 7.3 in                 |
| Compression driver mounting | Four M6 holes, 90° apart on 101,6mm (4 in) diameter circle |
| Net weight                  | 1,13 kg  |
| Shipping weight             | 1,35 kg  |

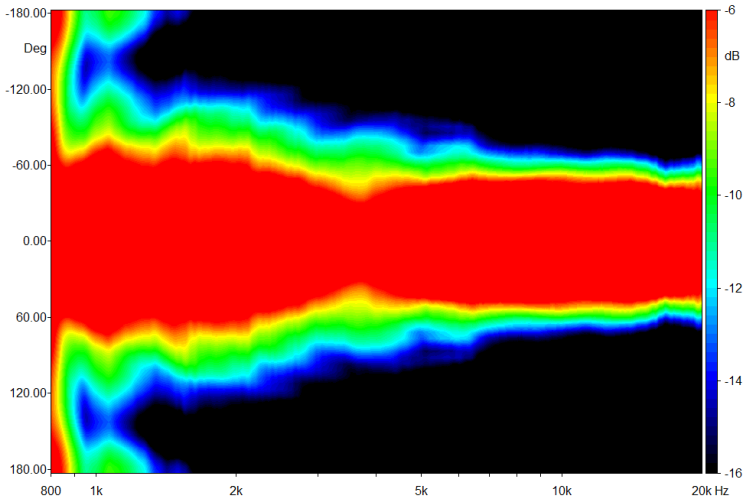
#### DIMENSION DRAWING



#### Notes:

Line/array waveguide measured with Beyma CD-314Nd/Ti compression driver.

#### HORIZONTAL DIRECTIVITY MAP



#### VERTICAL DIRECTIVITY MAP

